



# P48 GEOMETRY

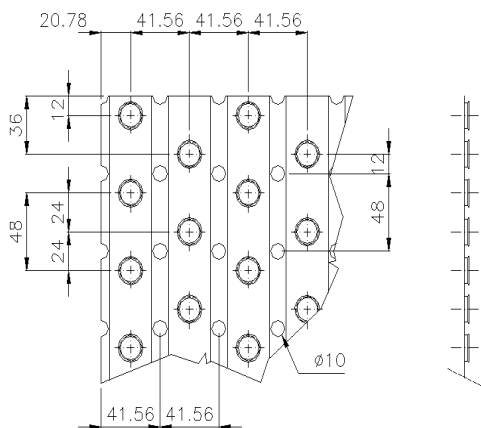
Tube material	Ø	Thickness	Type	Denomination	Certification
Copper	16	0.75 - 1 - 1.5	seamless	Cu-EN 12735-2	EN 10204 3.1
Copper nickel 70-30 (90-10)				Astm B111-C71500 (C70600)	
Carbon steel				1.5 - 1.8	
Carbon steel hot dip galvanised		1.5 - 1.8 - 2.6			
Stainless steel 304L - 316L		1 - 1.5	welded	Astm A 249 tp 304L-316L	
	seamless		Astm A 213 tp 304L-316L		

Fins material	Thickness	Type
Aluminium	0.15 - 0.25 - 0.4	corrugated
Aluminium prepainted		
Aluminium Mg2.5		
Copper	0.2	flat
Stainless steel 304 - 316		
Carbon steel		

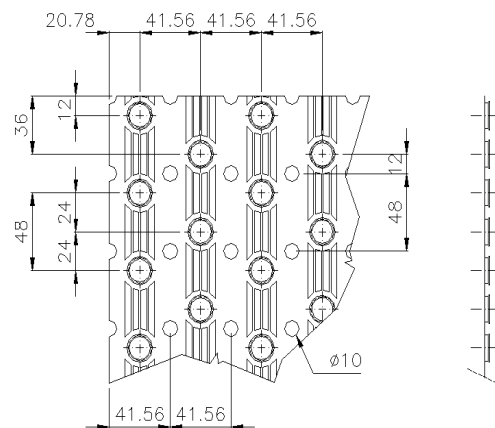
Fins spacing mm	2.0	2.2	2.5	2.9	3.0	3.2	3.6	4.0	4.5	5.0	5.6	6.0
Fins/mt	500	450	400	350	330	310	280	250	220	200	180	165

Not available for hot dip galvanised coils

## Fin configuration



Flat



Corrugated